



OPEN MOTOR

Reimagine How You Do Milling Operations

The Talon Open Motor combines over 25 years of motor design experience to offer the most desirable motor on the market.

The most heavy duty race stack gives the flexibility to run any operation and with any fluid with confidence, feel the true versatility by utilizing even the most extreme power sections available, and get the most out of your tool string by being able to pump some of the highest flow rates seen in coiled tubing motors.

Push new limits and see your true potential.



TAPERED CONNECTIONS

to enhance fatigue life with modern BHAs



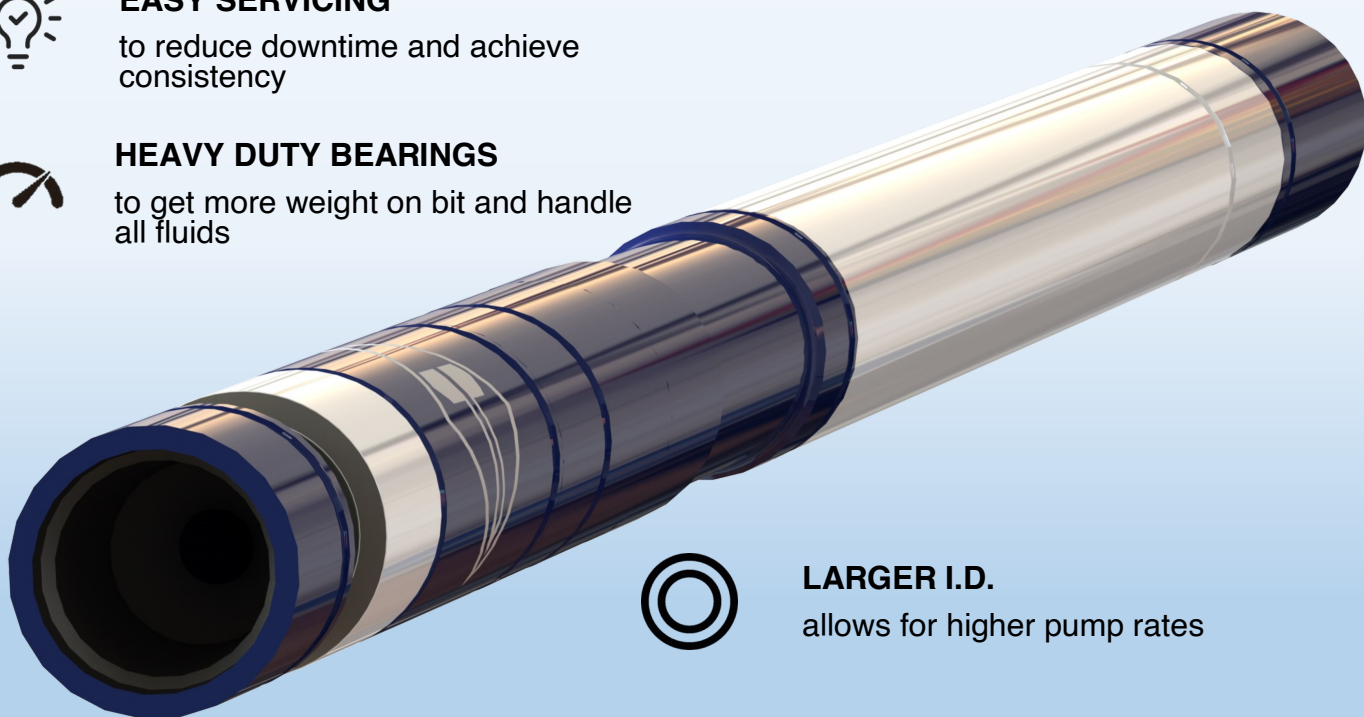
EASY SERVICING

to reduce downtime and achieve consistency



HEAVY DUTY BEARINGS

to get more weight on bit and handle all fluids



LARGER I.D.

allows for higher pump rates



DUAL CATCH DESIGN

ensures nothing is ever left in hole



HD POWER SECTIONS & METAL TO METAL

a tough flexshaft and strong connections give option for the power section of your choice

Read more and contact at
talonwt.com